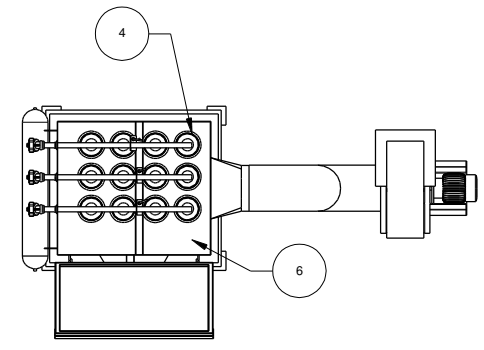
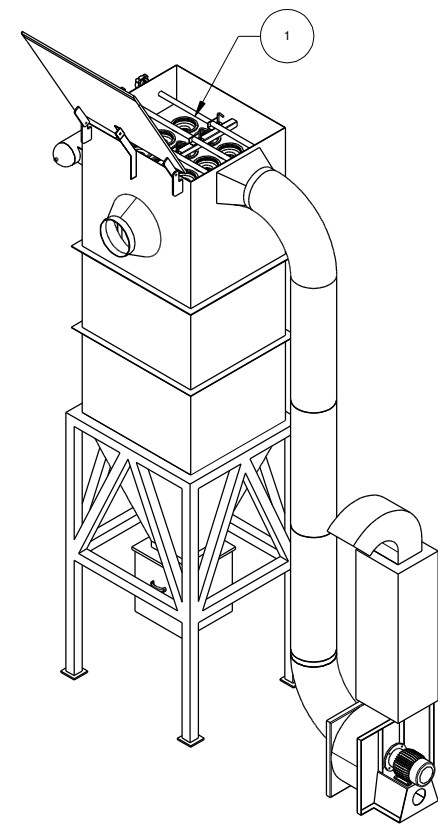
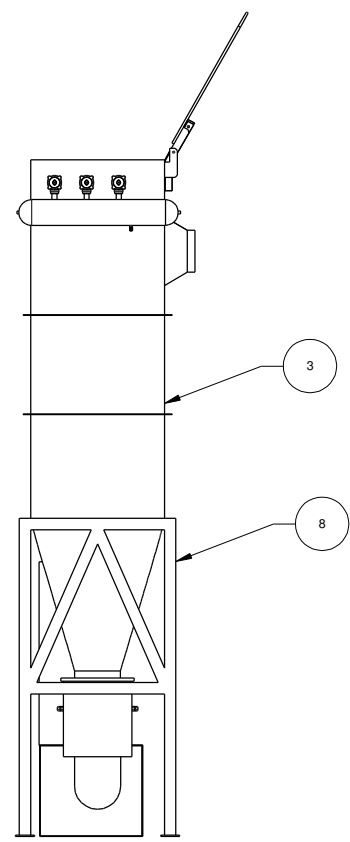
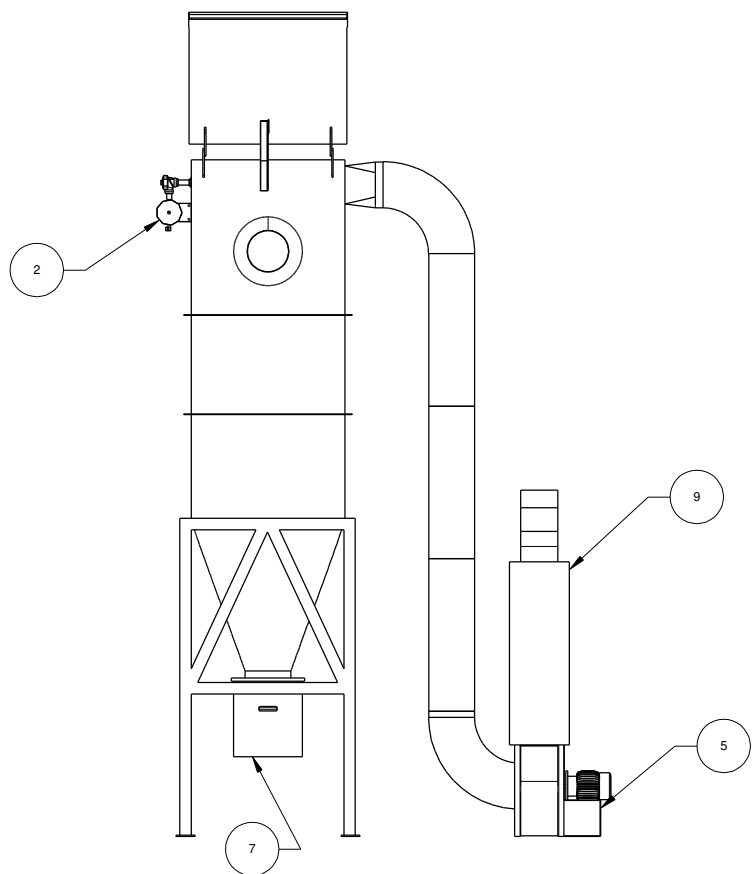


A
B
C
D
E
F

A
B
C
D
E
F



Item Number	Part Name
1	Blowtube Assembly
2	Reservoir
3	Housing
4	FilterBag
5	Fan
6	Cell Plate
7	Bin
8	Housing Support
9	Fan Silencer

Itemref	Quantity	Title/Name, designation, material, dimension etc	Article No./Reference		
Drawn by Andre	Checked by	Approved by - date	File name	Date 26/10/10	Scale

Dust Collector with fan			Edition	Sheet
--------------------------------	--	--	---------	-------