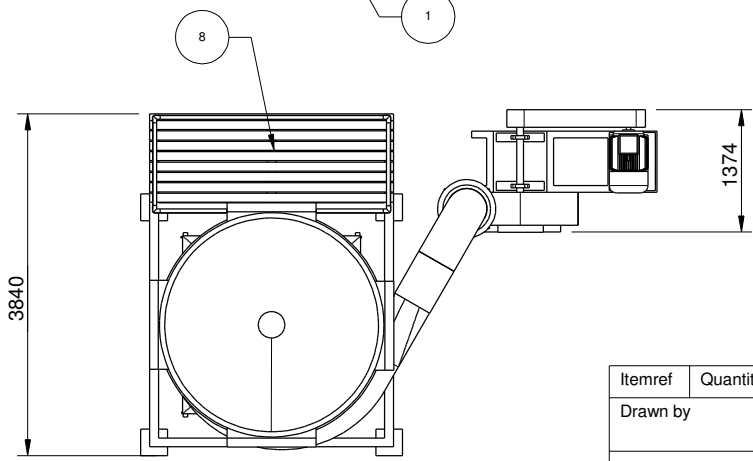
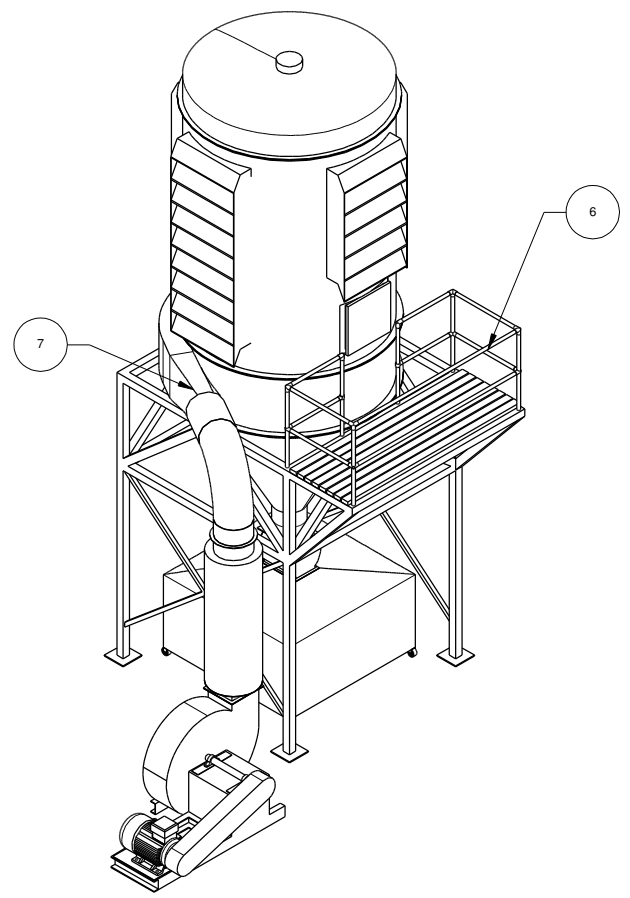
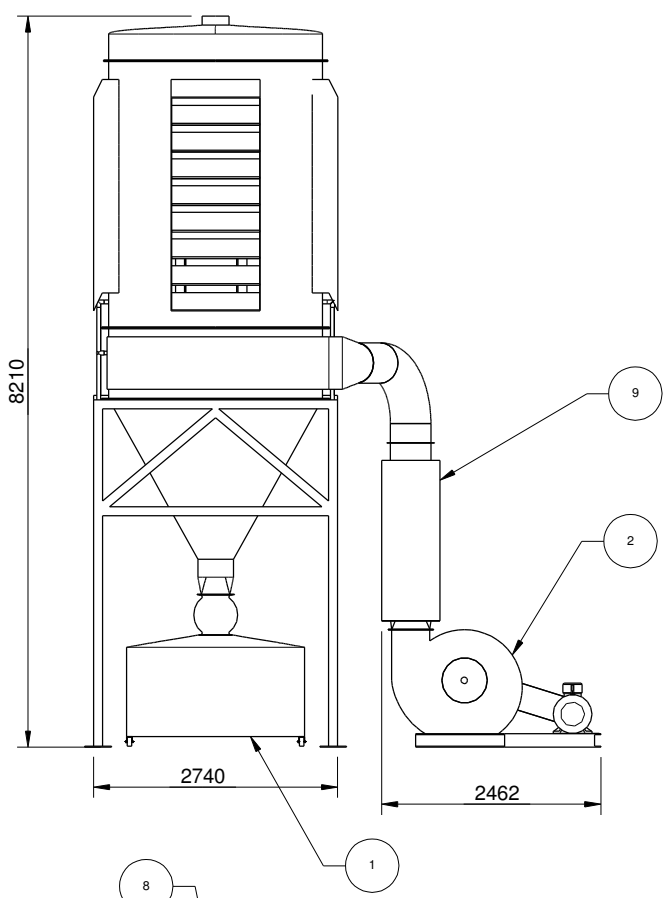
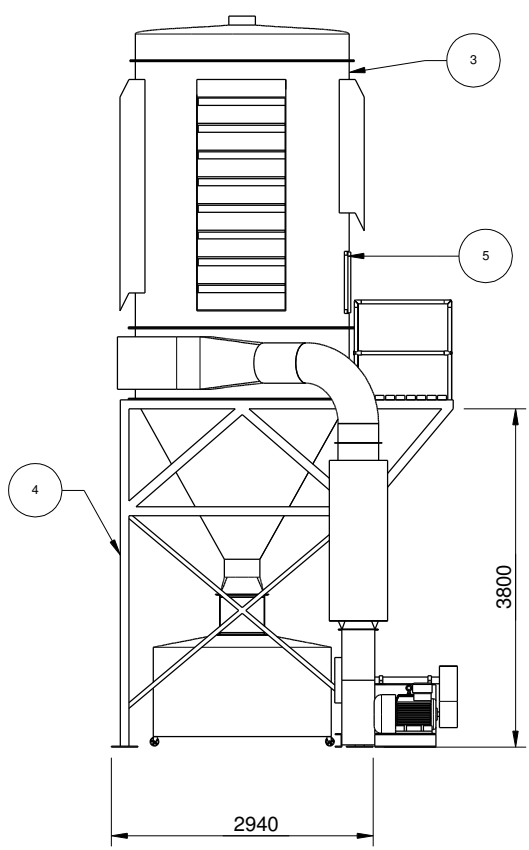


A
B
C
D
E
F

A
B
C
D
E
F



Item Number	Part Name
1	Bin
2	Fan
3	Main Body
4	Frame
5	Inspection Door
6	Hand Rail
7	Inlet
8	Deck
9	Silencer

Itemref	Quantity	Title/Name, designation, material, dimension etc			Article No./Reference	
Drawn by	Checked by	Approved by - date	File name	Date	Scale	
Filterclone (29 Bag)					Edition	Sheet