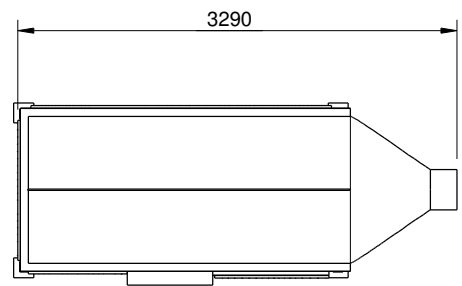
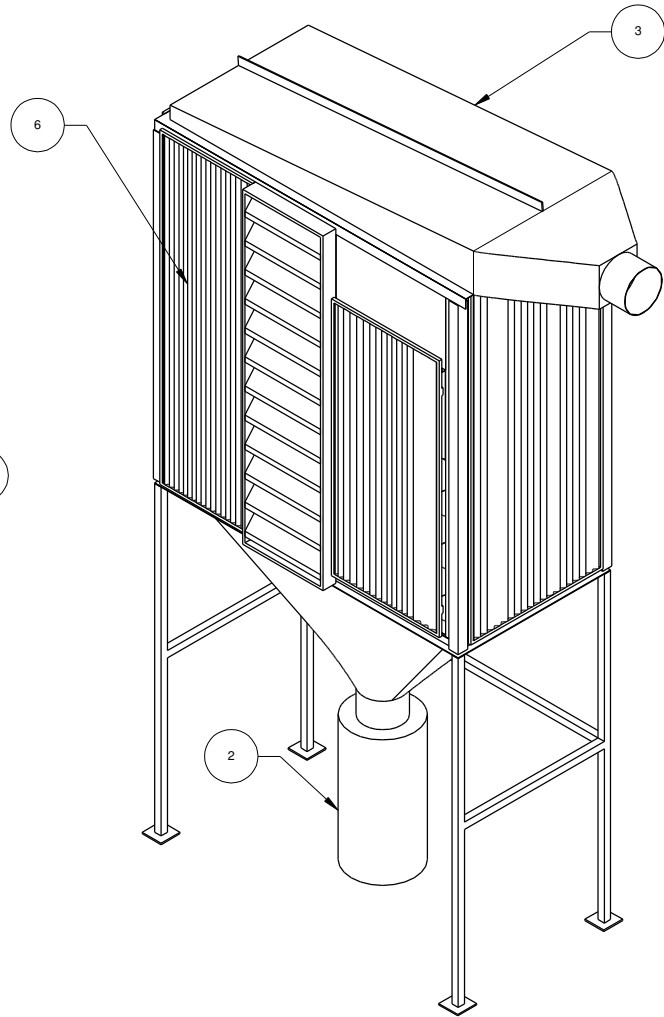
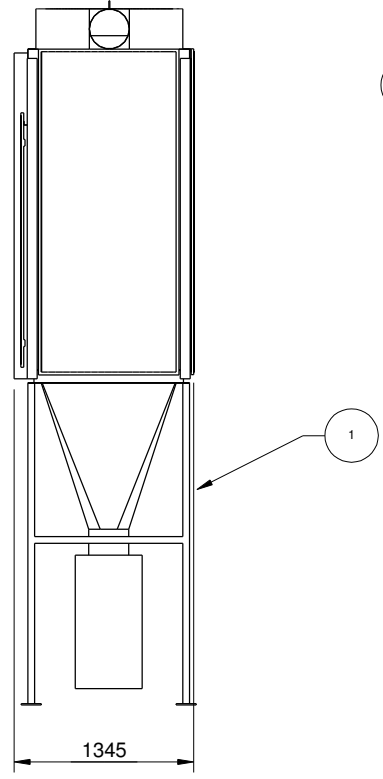
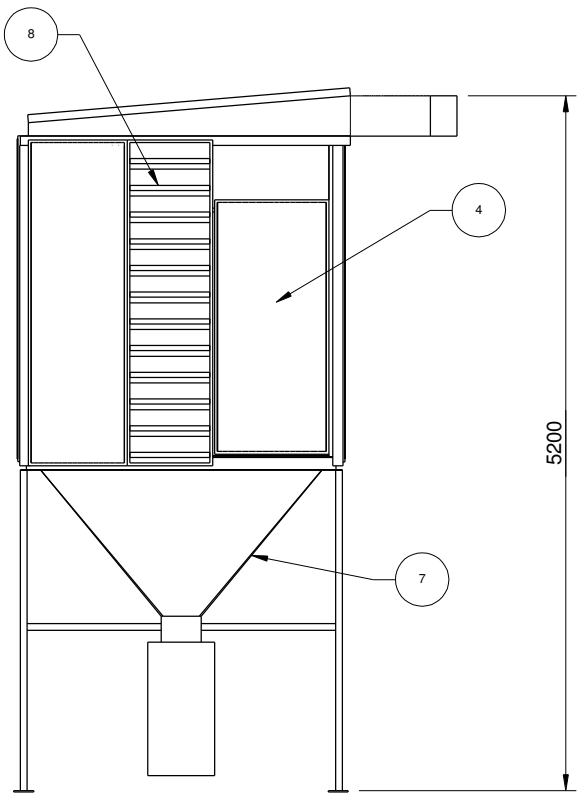


A  
B  
C  
D  
E  
F

A  
B  
C  
D  
E  
F



Item Number	Part Name
1	Support Frame
2	Collection bag
3	Inlet Plenum
4	Door
5	Cell Plate
6	Housing
7	Hopper
8	Louvre

Itemref	Quantity	Title/Name, designation, material, dimension etc	Article No./Reference		
Drawn by Andre	Checked by	Approved by - date	File name	Date 22/10/10	Scale
<b>18 Bag Static DC</b>					
			Edition	Sheet	