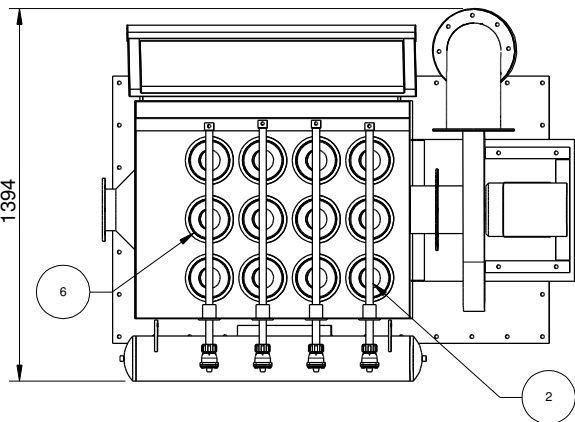
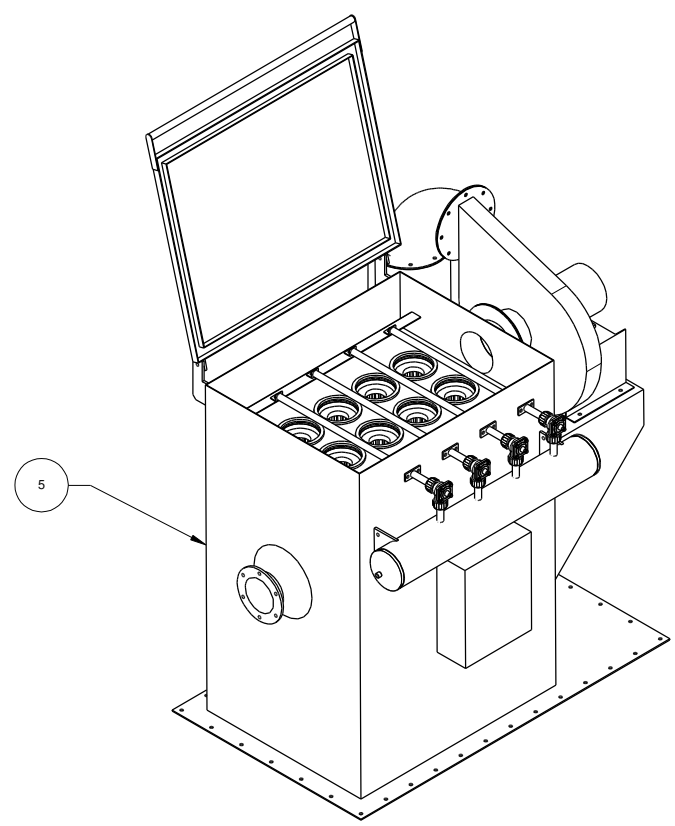
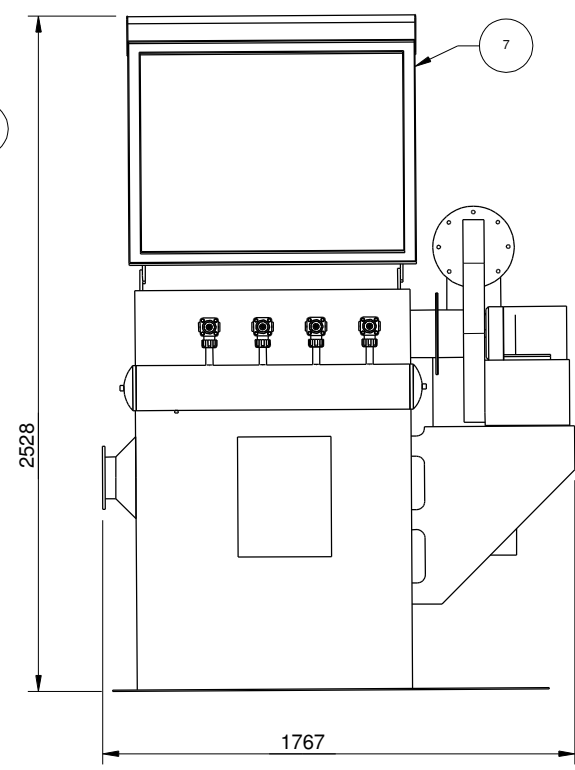
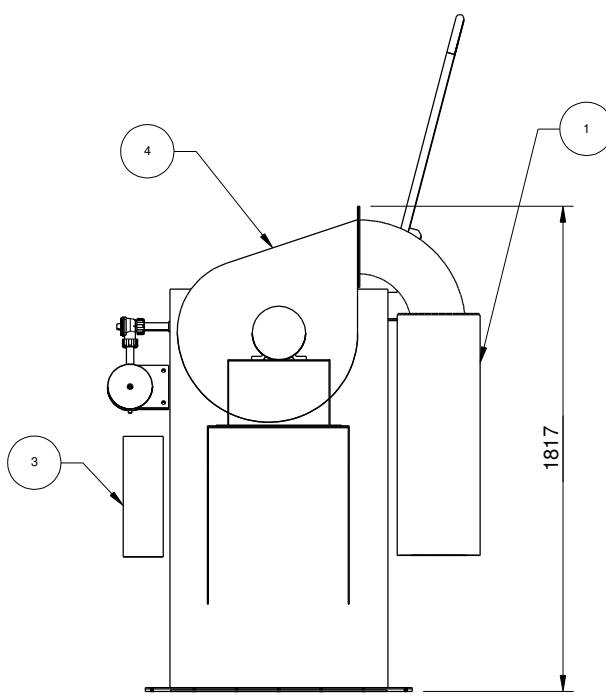


A
B
C
D
E
F

A
B
C
D
E
F



Item Number	Part Name
1	Silencer
2	Blow tube Assembly
3	Control Box
4	Fan
5	Body
6	Cell plate
7	Lid
23	FilterBag

Itemref	Quantity	Title/Name, designation, material, dimension etc			Article No./Reference	
Drawn by	Checked by	Approved by - date	File name	Date	Scale	
Top section with integral fan					Edition	Sheet