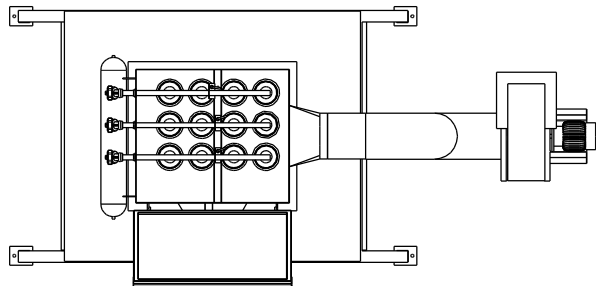


A



A

B

B

C

C

D

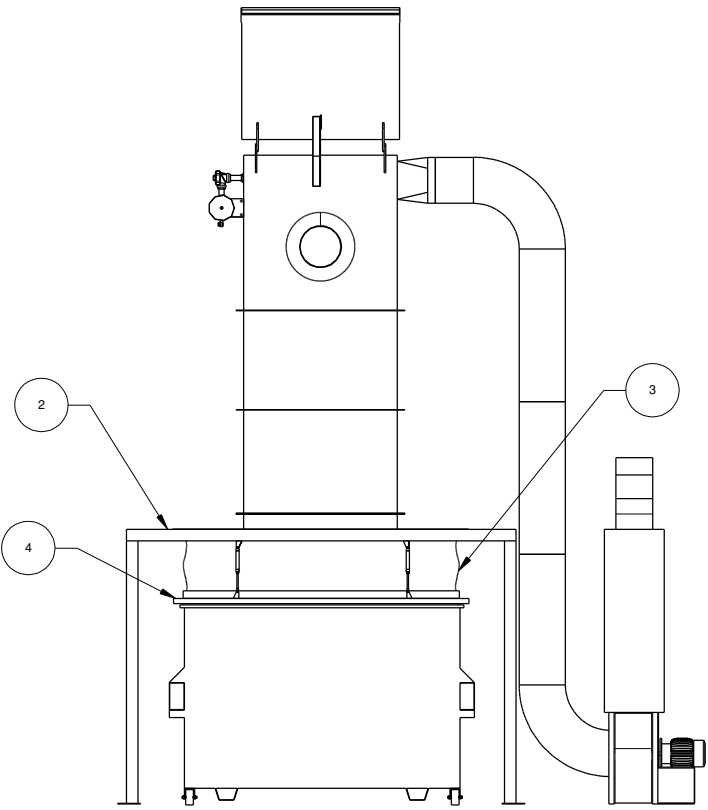
D

E

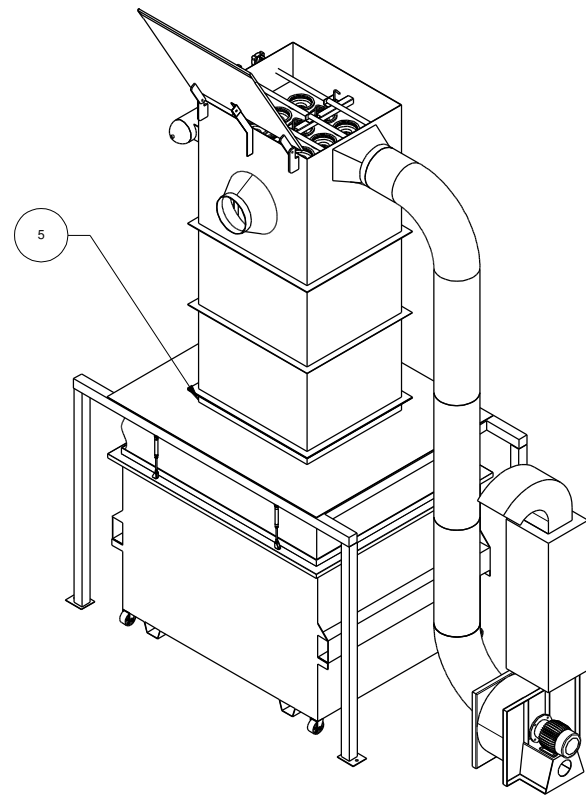
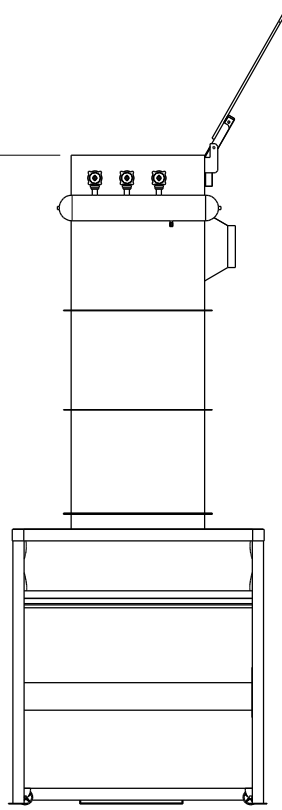
E

F

F



4251



Part Name	Comment	Part Number
Seal		1 (not pictured)
Frame	see sheet 2	2
Skirting	see sheet 5	3
Z Section	see sheet 3	4
Frame to Housing Flange	see sheet 4	5

Itemref	Quantity	Title/Name, designation, material, dimension etc		Article No./Reference	
Drawn by ANDRE		Checked by	Approved by - date	File name	Date 22/09/2010
Waste Bin dust collector					Scale
			Edition	Sheet 1	